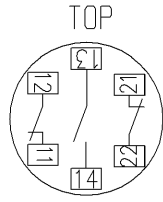
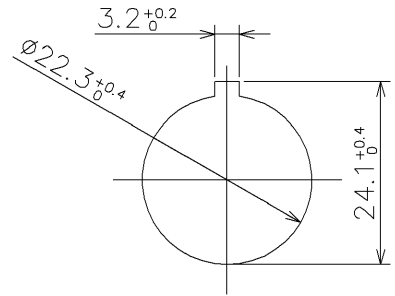


Operation type : Push lock
 Reset : Pull reset or Turn reset.
 Contact arrangement (□□) : 1b (01) , 2b (02) ,
 1a-1b (11) , 1a-2b (12)
 Bottom color (*) : Red (R) , Bright red (RH)



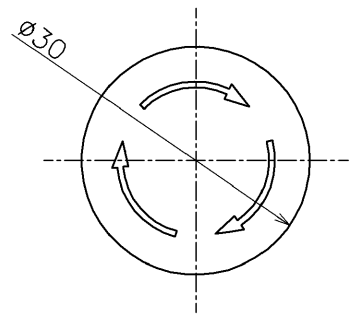
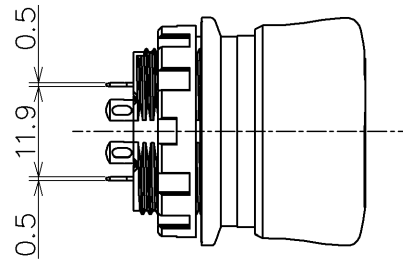
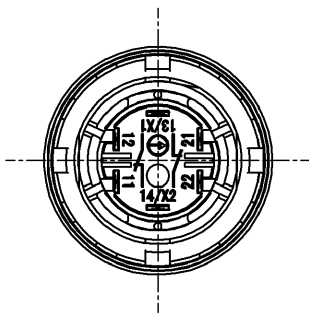
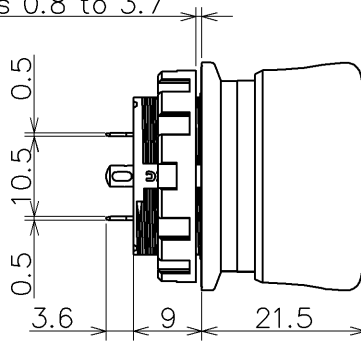
1b: Terminals on the left.
 2b: Terminals on the right
 and left.
 1a: Terminals on the center.

Contact Configuration
 (Bottom View)



Panel Cut-Out

Panel Thickness 0.8 to 3.7



				Product Name: XW SERIES EMERGENCY STOP SWITCH
				Type Number: XW1E-BV3SG□□*
Approved by	T.Iwami	2023/12/01	Dim.: mm	Outside View
Checked by	Y.Kawase	2023/12/01	Drawing No. MA4-A06053	
Drawn by	T.Matsumoto	2023/12/01		